

PEIMAR
ITALIAN PHOTOVOLTAIC MODULES



Made in **ITALY**



ASSURED ENERGY
Product Liability Insurance QBE



30 YEAR
LINEAR POWER WARRANTY
(ANNI GARANZIA LINEARE PRODUZIONE)

20 YEAR
PRODUCT WARRANTY
(ANNI GARANZIA PRODOTTO)

SG285P

Peimar polycrystalline solar panels made in Italy provide customers with a perfect combination of high-efficiency and versatility. Thanks to the use of high-quality solar cells, our panels achieve outstanding performance and ensure maximum production output even under poor lighting and weather conditions. The strong yet ultra-light frames, available in silver or black make installation easy but robust in either residential, commercial or large-scale settings.



PID FREE



MODULE FIRE PERFORMANCE: **CLASS 1**



ANTI-REFLECTIVE GLASS



HAILSTORM RESISTANCE

CELLS

60
POLY



QTY:
60 CELLS
TYPE:
POLY 5BB
DIMENSION:
156.75x156.75 mm
6.17x6.17"

FRAME



BACKSHEET



JUNCTION BOX



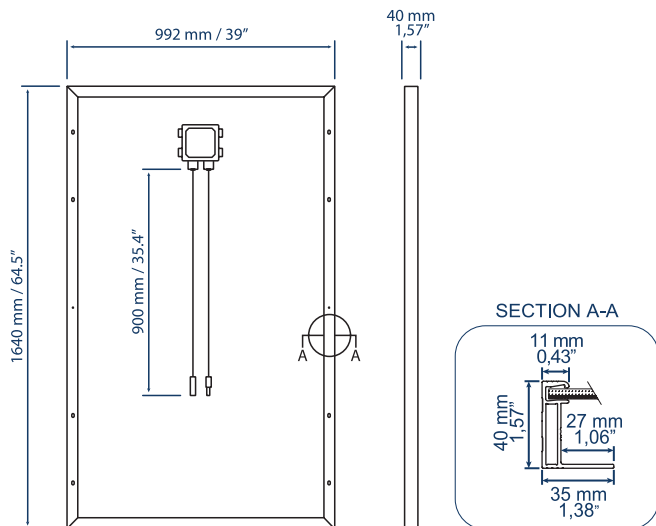
ELECTRICAL CHARACTERISTICS (STC)*

	SG285P
Nominal Output (Pmax)**	285 W
Power Tolerance	0/+5 W
Voltage at Pmax (Vmp)	31.98 V
Current at Pmax (Imp)	8.92 A
Open Circuit Voltage (Voc)**	39.02 V
Short Circuit Current (Isc)**	9.55 A
Maximum System Voltage	1500 V
Maximum Series Fuse Rating	15 A
Module Efficiency	17.52%

MECHANICAL CHARACTERISTICS

Solar Cells	60 (6x10) polycrystalline
Solar Cells Size	156.75x156.75 mm / 6.17x6.17"
Front Cover	3.2 mm / 0.12" thick, low iron tempered glass
Back Cover	TPT (Tedlar-PET-Tedlar)
Encapsulant	EVA (Ethylene vinyl acetate)
Frame	Anodized aluminium alloy, double wall
Frame finishing	Silver / Black
Backsheet finishing	White
Diodes	3 Bypass diodes serviceable
Junction Box	IP67 rated
Connector	MC4 or compatible connector
Cables Length	900 mm / 35.4"
Cables Section	4.0 mm ² / 0.006 in ²
Dimensions	1640x992x40 mm / 64.5x39x1.57"
Weight	18 Kg / 39.7 lb
Max. Load (Test Load) - SF	5400 Pa - 1.5

DIMENSIONS



TEMPERATURE CHARACTERISTICS

NMOT***	45±2 °C
Temperature Coefficient of Pmax	-0.43 %/°C
Temperature Coefficient of Voc	-0.32 %/°C
Temperature Coefficient of Isc	0.047 %/°C
Operating Temperature	-40 °C ~ +85°C

PACKAGING****

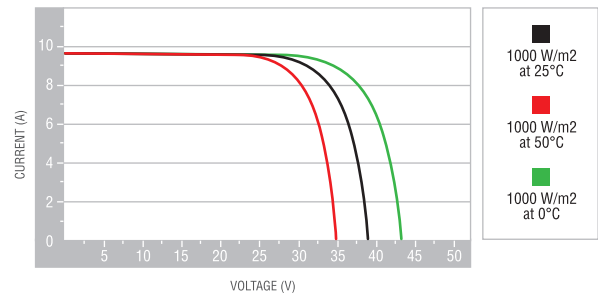
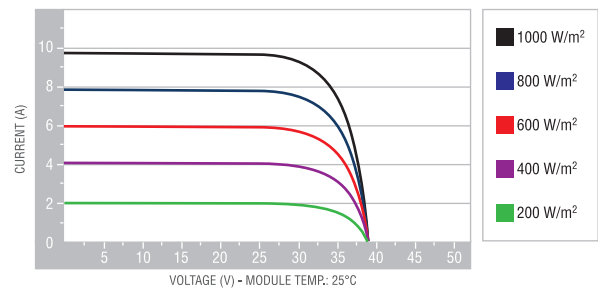
Pallet dimensions	1700x1200x1200 mm / 67x47x47"
Pieces per pallet	27
Weight	516 Kg / 1138 lb

CERTIFICATIONS

Fire Resistance Rating	1 (UNI 9177)
PID free	IEC TS 62804-1:2015

CURRENT/VOLTAGE CHARACTERISTICS

Values apply to modules: SG285P



*STC: (Standard Test Condition) Irradiance 1000W/m²; Module Temperature 25°C; Air Mass 1.5

**Pmax, Voc, Isc measurement tolerance: ±3%

***NMOT: Nominal Module Operating Temperature: Sun 800W/m²; Air 20°C; Wind speed 1m/s

****Pallets can be stacked up to two

It is important to point out, that all technical specifications, information and figures contained in this datasheet are estimated values. Peimar reserves the right to change the technical specifications, information and figures contained in this document at any time without notice. EN_09/2019

